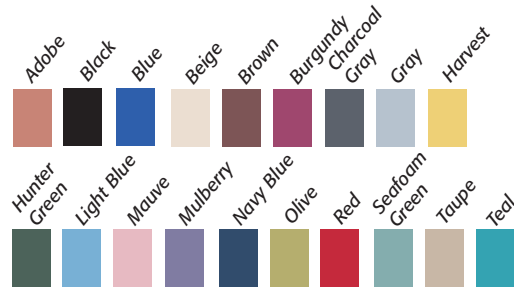


# Bookstyle Charts

**Bookstyle Charts** have Gator-Grip spring clips (one each on the inside front and back covers) with a capacity of  $\frac{3}{8}$ " of paper. Perfect for use with Physicians' Order Racks 1102-00 and 1102-01 (see page 52).



Cat. No.	Size	Color			
<b>Bookstyle Charts</b> 10 $\frac{1}{2}$ "W x 11 $\frac{1}{2}$ "L					
	1 $\frac{1}{2}$ " Spine				
9713-00		Adobe			
9701-00		Beige			
9719-00		Black			
9714-00		Blue			
9700-00		Brown			
9703-00		Burgundy			
9710-00		Charcoal Gray			
9702-00		Gray			
9715-00		Harvest			
9709-00		Hunter Green			
9704-00		Light Blue			
9705-00		Mauve			
9712-00		Mulberry			
9708-00		Navy Blue			
9716-00		Olive			
9718-00		Red			
9707-00		Seafoam Green			
9717-00		Taupe			
9711-00		Teal			
<b>Quantity/Price</b>					
1-35	36-71	72-239	240-349	350-499	500+
19.96	19.16	18.38	17.66	16.94	16.30



## Gator-Grip Spring Clip

Perfect for storing documents outside the ring assembly. Gator-Grip Spring Clip can be factory-riveted on the inside and outside covers of all ringbinder charts. Each clip holds  $\frac{3}{8}$ " of paper.

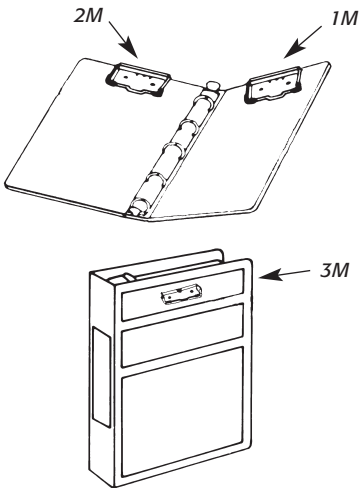


Add Divider Set Posts 9800-00 to enhance this product. See page 76

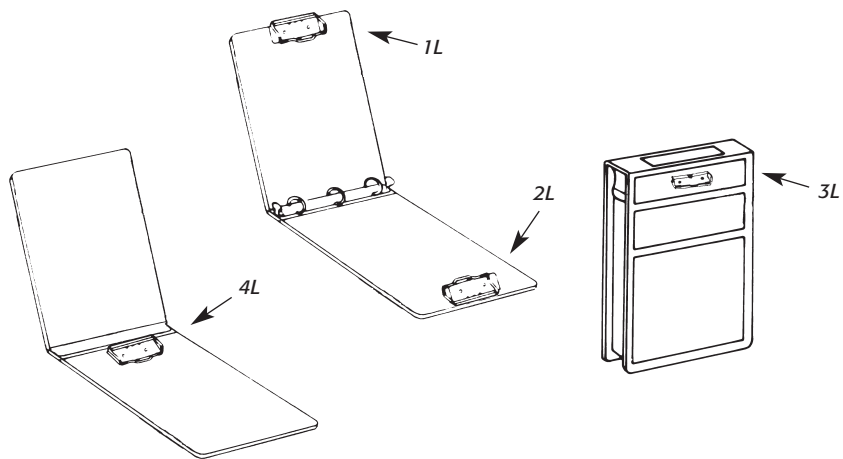


### Spring Clip Attachment Positions For Ringbinders

Positions 1M, 2M and 3M For Side-Opening Ringbinders



Positions 1L, 2L, 3L and 4L For Top-Opening Ringbinders



Specify factory-riveted position using diagrams below. Non-standard placement requires additional placement charge. Call Customer Service for quote. **Factory-installed attachments are not returnable.** (See policy on page 107.)

Cat. No.	Description	Quantity/Price			
		1-35	36-71	72-239	240+
2612-00	Gator-Grip Spring Clip for all ringbinder sizes	5.30	5.11	4.89	4.71